



DT 702



DT 702

The DT 701/702 is ideally suited for most walk-in bath installations; yet generous in accommodating bathers. Providing a soothing bathing experience with invigorating full-body Pipeless™ hydromassage, the DT 701/702 is designed for 3-wall alcove or 2-wall corner installations.

The Pipeless™ Advantage

Every HydroHealth® Walk-in Bath features the purity of Pipeless™ technology. With no pipes to trap bath residue and foster the growth of harmful bacteria commonly found in most ordinary piped and air-bubble systems, our patented Pipeless™ system ensures hospital-grade disinfection.

Smooth, Quiet Operation

Whisper quiet and free of vibration, HydroHealth® Walk-in Baths produce half the noise of conventional piped whirlpools and a fourth as much as air-bubble baths, ensuring your bathing experience is peaceful and relaxing.

True Spa-Quality Hydromassage

SANIJET has combined simple water flow with advanced technology and hydromassage control to create a genuine, spa-quality bathing environment. Whether soaking or using active hydromassage, enjoy your favorite essential oils and thermal bath salts with confidence – any residue left behind can be completely cleaned after each use.

Standard Features

- 6-Pipeless™ Jet Massage System
- Hospital-grade disinfection in approximately five minutes
- Durable, easy-to-clean, lustrous gelcoat construction
- Colors: White and Biscuit
- Dual Flow "High/Low" Hydromassage System
- Soothing Back Massage
- Leg Only Hydromassage
- 20-minute bath timer
- Color matched drain and overflow
- Slip-resistant tub floor
- Decorative, removable side access panel
- Left hand or right hand door
- Steel frame with 6-adjustable leveling feet
- Extensive protection with HydroHealth's Limited Warranty

Whirlpool Options

- 8-Jet Hydromassage System Upgrade
- 10-Jet Hydromassage System Upgrade
- Premium Dual Zone Control System
- ChromaSoothe™ Lighting

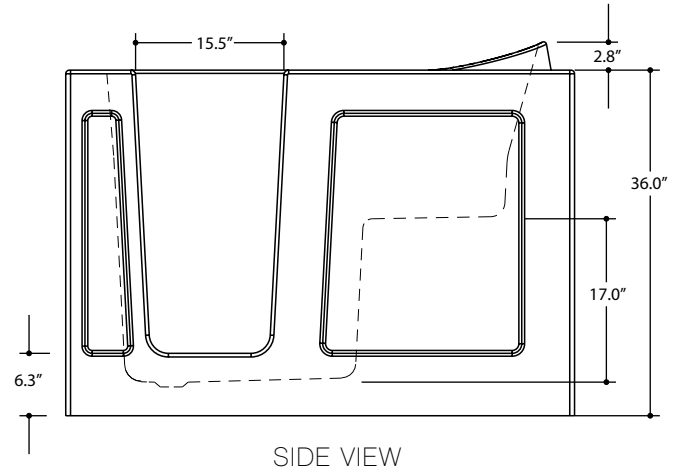
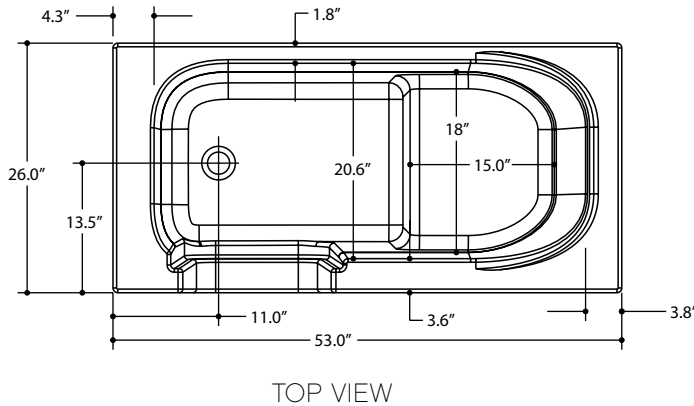
Other Options

- Premium "Anti-Scald" high volume, thermostatic mixing valve with integral diverter, volume control, spout and adjustable wall-mounted personal hand shower
- Decorative ADA-grade grab bars
- Extension kit to fit 60" opening
- Decorative end panel for 2-wall installations

Notes

- Also available as soaking tub

DT701, 26x53 LEFT ENTRY (AS SHOWN) / DT702, 26X53 RIGHT ENTRY



Selections

Model

- DT 701 Left Entry DT 702 Right Entry

Color

- White Biscuit

Number of Jets

- 6 8 10

Hydromassage Zones

- Single Dual

Control System

- Simple Touch - 1 Hydromassage Flow Setting
 Electronic - 2 Hydromassage Flow settings with 20 minute timer

Lighting

- ChromaSoothe Lighting System with color wash setting and seven solid light colors

Installation Accessories

- Extension kit to fit 60" opening
 Decorative end panel for 2-wall corner

Requirements

Plumbing

- Water Supply: 1/2" or 3/4" N. P. T.
- Drain: 1 1/2" O.D.

Electrical

Hard-wired, 115 VAC, 60 Hz, 15 amp dedicated circuit, GFCI protected

General Specifications

Material

GelCoat

Dimensions

Width 26" (66 cm), Length 53" (135 cm), Height 36" (91 cm)

Drain Location

End drain

Water Capacity

Operating 45 U.S. Gallons (170 liters)

Installation Types

Two-wall or three-wall alcove

Shipping

- Shipping Dimensions: Width 32" (82 cm) x Length 57" (145 cm) x Height 42" (107 cm)
- Shipping Weight: 300 lbs (136 kg)

Warranty

Lifetime Door Seal, 10 year Tub Shell, 5 year System Components

Listings and Certification

Specified models meet or exceed the following:



Specifications subject to change without notice.